

Type:

Model:

JADE LED Bollard

ORDERING CODE:

- 600202 39" Direct Burial 12V 600620 39" Surface Mount 12V
- 600540 39" Direct Burial 120V 600621 39" Surface Mount 120V
- 600594 48" Direct Burial 12V 600622 48" Surface Mount 12V
- 600595 48" Direct Burial 120V 600623 48" Surface Mount 120V

SPECIFICATIONS

HOUSING: Marine-grade (5052) aluminum.

STANDARD POWDER COAT COLORS: PPG PCT23104 Vintage Bronze Texture is standard. Available in additional colors per the chart below. Other custom colors are also available.

LAMP: Integrated LED module 2W - 12W (adjustable)

MOUNTING OPTIONS: Surface mount or direct burial.

WIRING: Prewired with 5-foot lead.

WARRANTY: Ten years.

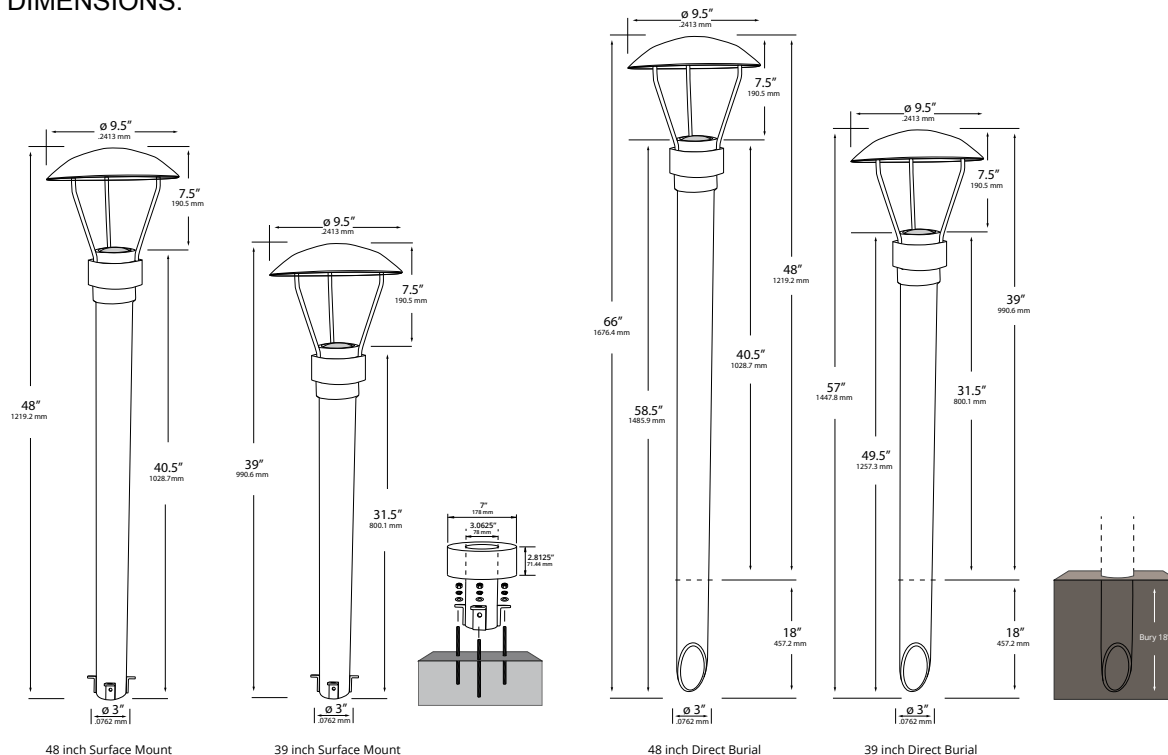
MANUAL ADJUSTING POWER:

| POWER | LUMENS | EFFICACY |
|-------|--------|----------|
| 2W | 200lm | 100 lm/W |
| 4W | 400lm | 100 lm/W |
| 6W | 580lm | 97 lm/W |
| 9W | 800lm | 88 lm/W |
| 12W | 950lm | 80 lm/W |



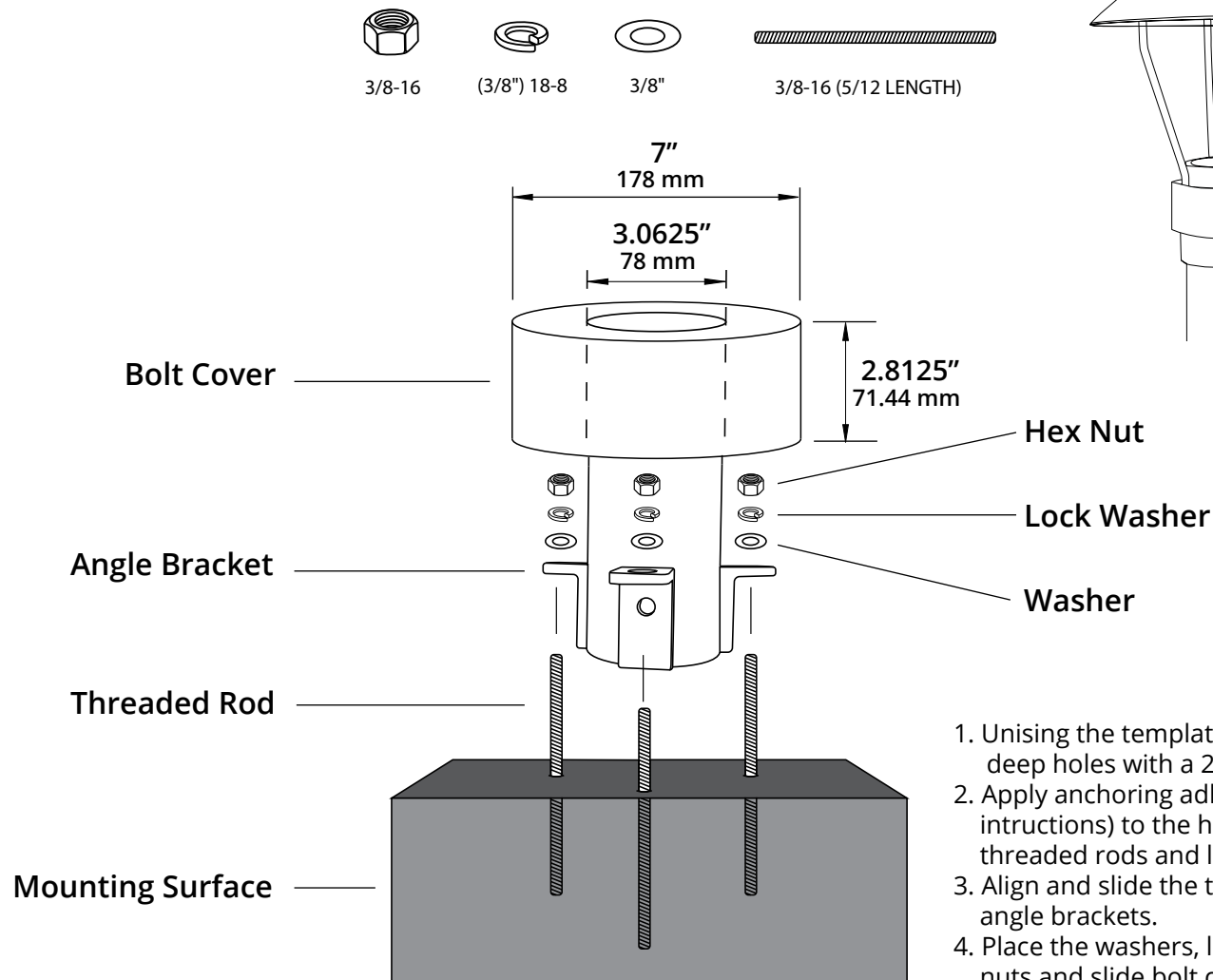
Aluminum bollard features an integrated manually adjustable 2W - 12W light source, available in 12V or 120V models.

DIMENSIONS:



| | |
|---|--|
| Cardinal C291-GN20 Patina Texture Semi Gloss | |
| Cardinal T091-GN57 Verdigris Texture Semi Gloss | |
| Cardinal T013-RD15 Red Hammer Semi Gloss | |
| Tiger Drylac 39/40002 Sapphire Hammer | |
| TCI Powders 9016-8336 Burst Rust | |
| Tiger Drylac 38/60080 Statuary Bronze | |
| Tiger Drylac 49/92910 Silver Matte | |
| Tiger Drylac 39/81420 Jet Black Hammer | |
| TCI Powders 9030-90922 SD Flat Black | |
| Powder Buy the Pound SK4331 Fine Textured Black | |
| Cardinal T012-WH260 White Hammer Semi Gloss | |
| PPG PCT23104 Vintage Bronze Texture | |
| Primastic PVB-8109 Jade/Copper | |
| Cardinal T064-BL95 Blue Hammer Semi Gloss | |

Surface Mount Installation



1. Unising the template provided, drill 3 inch deep holes with a 25/64-in masonry drill bit.
2. Apply anchoring adhesive (following adhesive intructions) to the holes created, insert the threaded rods and let them set.
3. Align and slide the threaded rods through the angle brackets.
4. Place the washers, lock washers, tighten hex nuts and slide bolt cover down.